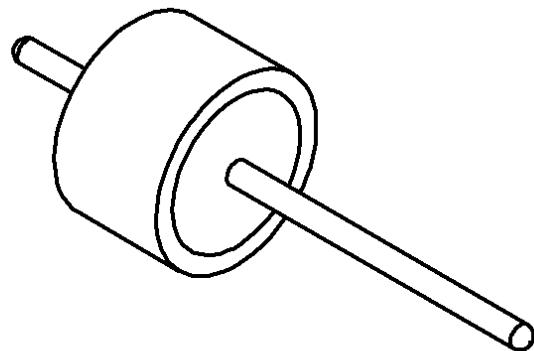
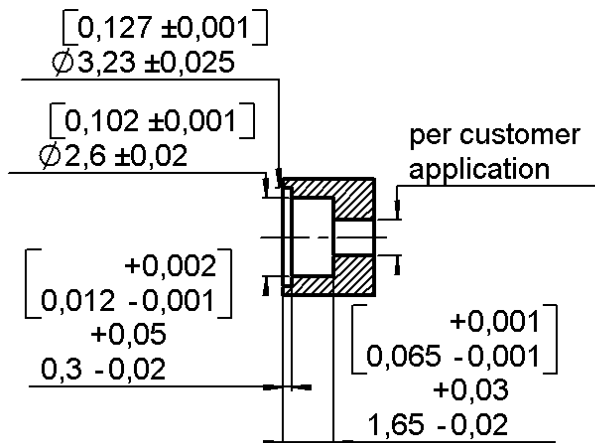
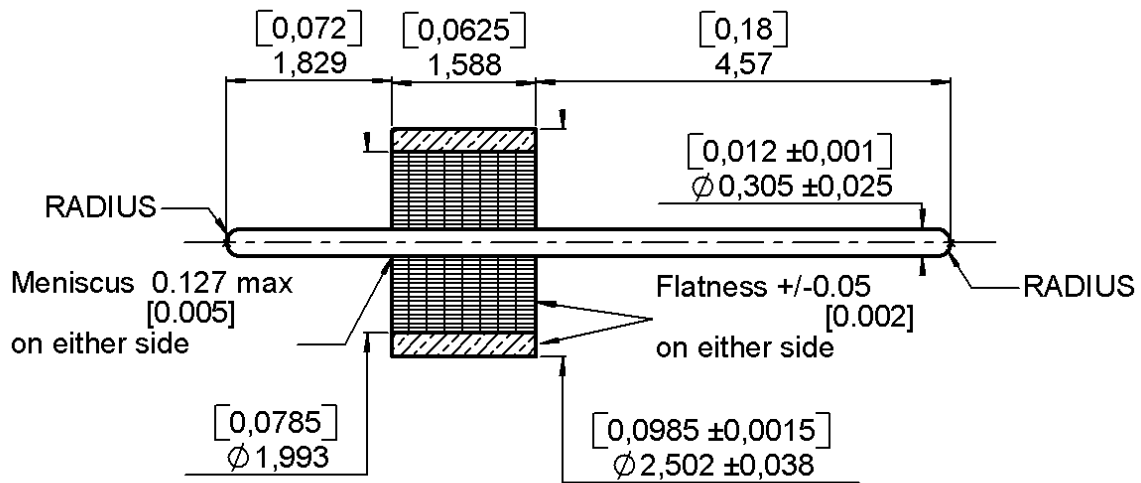


**GLASS BEAD
PACKAGING 100**

R280.751.070

Series : ACC-COAX



SCALE: 1/1

All dimensions are in mm.



COMPONENTS	MATERIALS	PLATING (µm)
BODY	FERRO-NICKEL	GOLD .
CENTER CONTACT	FERRO-NICKEL	GOLD .
OUTER CONTACT	-	-
INSULATOR	MATCHED GLASS	-
GASKET		
OTHERS PARTS		

Operating temperature : -65/+200 °C

Weight : 0.133 g

Others characteristics : Impedance: 50 Ohm

Leak rate 1.10^{-8} atm*cm³/s

Issue : 0539 A

In the effort to improve our products, we reserve the right to make changes judged to be necessary.

